



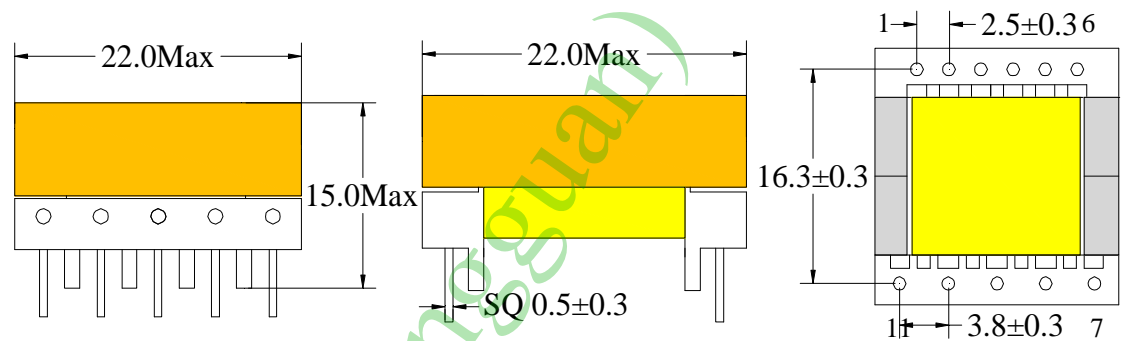
High-frequency transformer

EPC19 Series

Parameters/Dimensions:

EPC19 Type 1

- Information:
Shape:EPC19
1 Power:..15W
2 Mounting Orientation: Horizontal
3 Size: 22 (W) * 22L () * 15 (H)
4 Effective Ae (mm2): 22.7



Note:

Bobbin type listed in the traditional style, transformer design parameters to customer needs or to inject prevail.

EPC series high-frequency transformer features:

Has a low thermal resistance, low attenuation, high power, wide frequency range, light weight, reasonable structure, easy surface mount, good shielding effect, etc., but somewhat less heat dissipation.

Uses:

Widely used in small and large power and shielding and electromagnetic compatibility requirements of transformers, such as precision instruments, PABX power modules, navigation equipment.